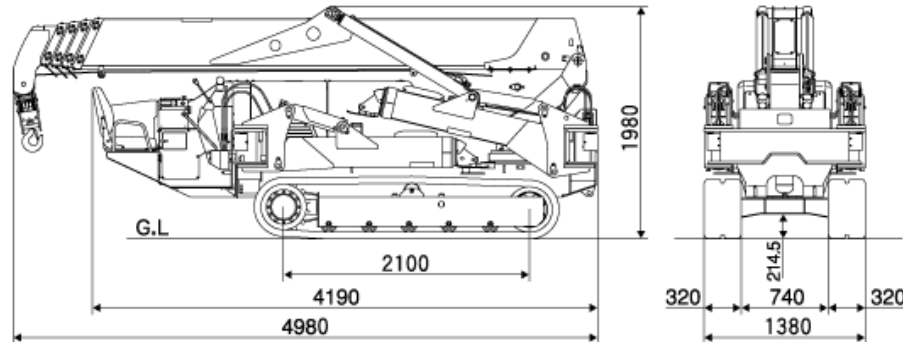




**rebcon**  
Architectural Metalworkers

## DATA SHEET FOR MAEDA MC405C CRANE

### Dimensions



### Technical specifications

Model		MC405C	
Crane capacity	txm	3.83x2.7m	
Max. working radius	mxt	16m×0.21t	
Max.lifting height (on the ground)	m	16.8m	
Max.lifting height (underground)	m	-20.5m (4 falls)	
Winch system	Hook speed	m/min	10m/min [18.0m/min] (4 layers, 4 falls)
	Hoist wire rope	Ø×m	IWRC 6×WS(26) Ø8×92m
Telescoping system	Type		Fully automatic 5-section pentagonal telescopic boom
	Boom length	m	4.735~16.475m
	Boom telescoping stroke / time	m/sec	11.7m/54.2sec [41.3sec]
Boom hoist system	Hoist angle / time	deg/sec	0~80deg/24.5sec [17.0sec]
Swing system	swing angle / time	deg/rpm	360deg/2.1rpm [2.5rpm]
Outrigger system	Type		Extended Hydraulic cylinder direct acting Setting up Hydraulic cylinder direct acting
	Max.extended width	mm	(Lateral)5,786× (Front)5,118× (Rear)5,520
Travel system	Type		Hydraulic motor driven , stepless speed changer
	Travel speed	km/h	0~3.3
	Gradability	deg	20
	Crawler ground length x width	mm	1,720×320
	Ground pressure	kpa [kgf/cm <sup>2</sup> ]	49.0 [0.50]
Engine	Model		YANMAR 3TNV88-BPMB
	Displacement	L [cc]	1.642 [1,642]



# rebcon

Architectural Metalworkers

	Rated output	kw/min <sup>-1</sup> [ps/rpm]	21.4kw/2400min <sup>-1</sup> [29.1PS/2400rpm]
	Starting method		Electric starting
	Fuel / Fuel tank capacity	L	Diesel/60.0
Remote control system	Type		Cable remote controller
	Micro/High speed mode		Available
	Load display for transmitter		Available
	Outrigger operation		Available
	Voice		Available
Pick & Carry capacity		kg	500kg
Overall length x width x height		mm	4,980x1,380x1,980
Machine weight		kg	5,600kg
Safety device		Overwind protection, Load indicator, Hydraulic safety valve, Wire rope latch, Level, Machine body inclination alarm, EMO switch, Travel lock lever, Outrigger interlock device, Moment limiter, Rotary lamp	

## Total Rated Load Chart (4 falls)

Total Rated Load Chart with outrigger extended to maximum							
4.735m/7.695m Boom		10.655m Boom		13.565m Boom		16.475m Boom	
Working Radius (m)	Total Rated Load (kg)	Working Radius (m)	Total Rated Load (kg)	Working Radius (m)	Total Rated Load (kg)	Working Radius (m)	Total Rated Load (kg)
2.7 or less	3830	3.5	3030	4.0	2230	5.0	1130
3.5	3030	4.0	2580	4.5	1930	5.5	980
4.0	2580	5.0	2030	5.0	1730	6.0	910
5.0	2030	6.0	1680	6.0	1400	7.0	760
6.0	1680	7.0	1380	7.0	1180	8.0	650
7.0	1380	8.0	1130	8.0	1030	9.0	600
7.25	1330	9.0	880	9.0	930	10.0	550
		10.2	580	10.0	830	11.0	490
				11.0	690	12.0	440
				12.0	530	13.0	380
				13.1	430	14.0	320
						15.0	260
						16.0	210

\* The Total Rated Load Chart is based on actual working radius with the bending of boom attributable to load reflected and is shown with the mass of hook (50kg) included.



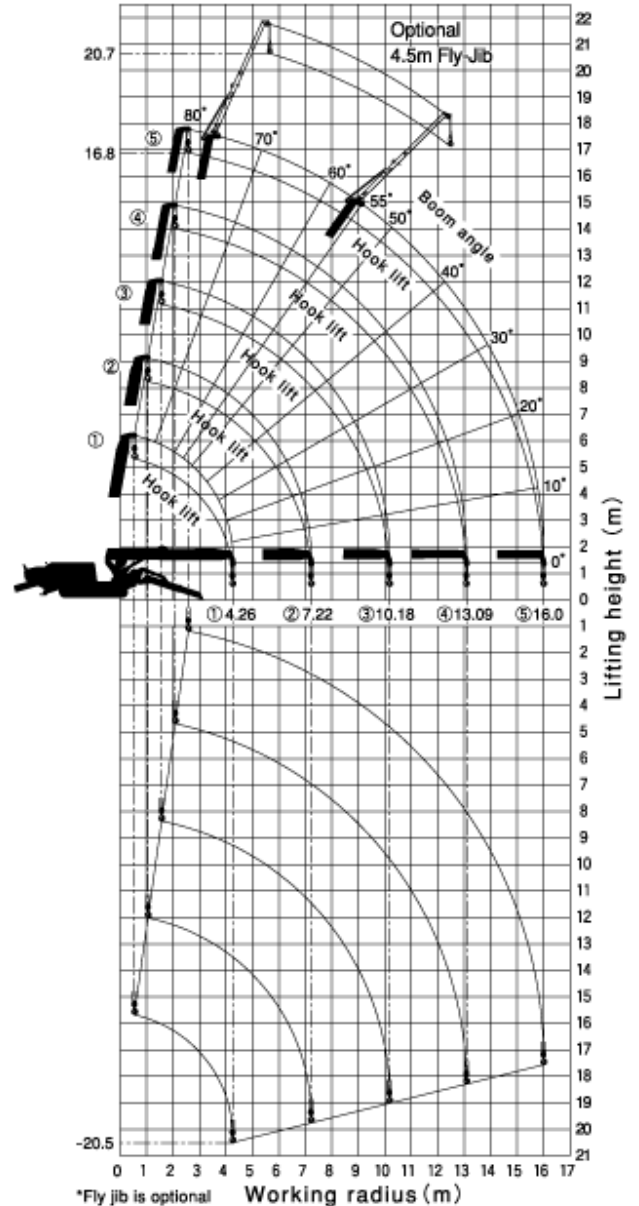
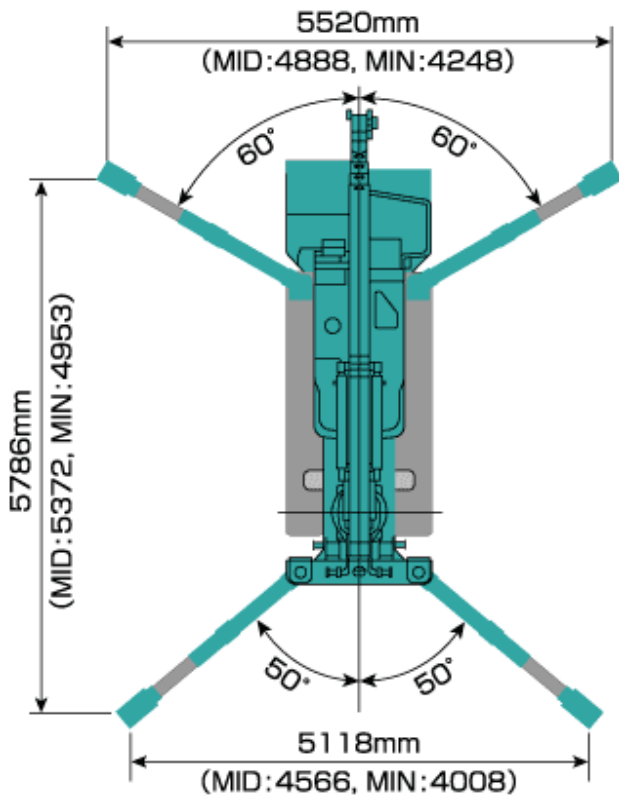
**rebcon**  
Architectural Metalworkers

**Fly jib Total Rated Load Chart (Optional)**

Boom angle (deg)	Jib length:4.5m (kg)
76	520
72	520
69	420
66	320
63	250
60	220
55	170

\*The weight of hook block (single fall-20kg) must be included as part of the load shown in the Total Rated Load Chart.\*

**Working Range Chart**



\*Fly jib is optional

**Working radius (m)**

\*The working range chart applies to cases without load and do not include boom deflections.